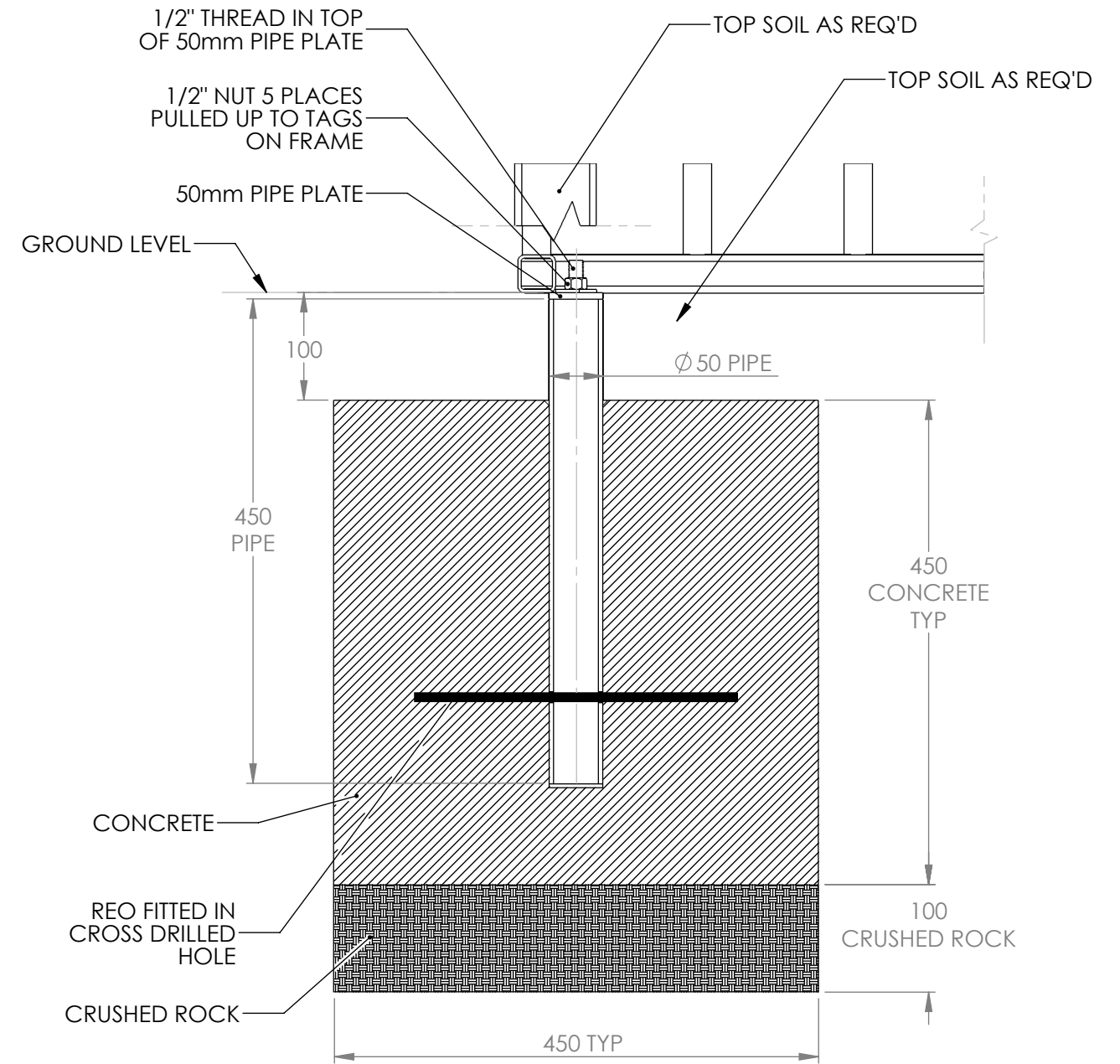
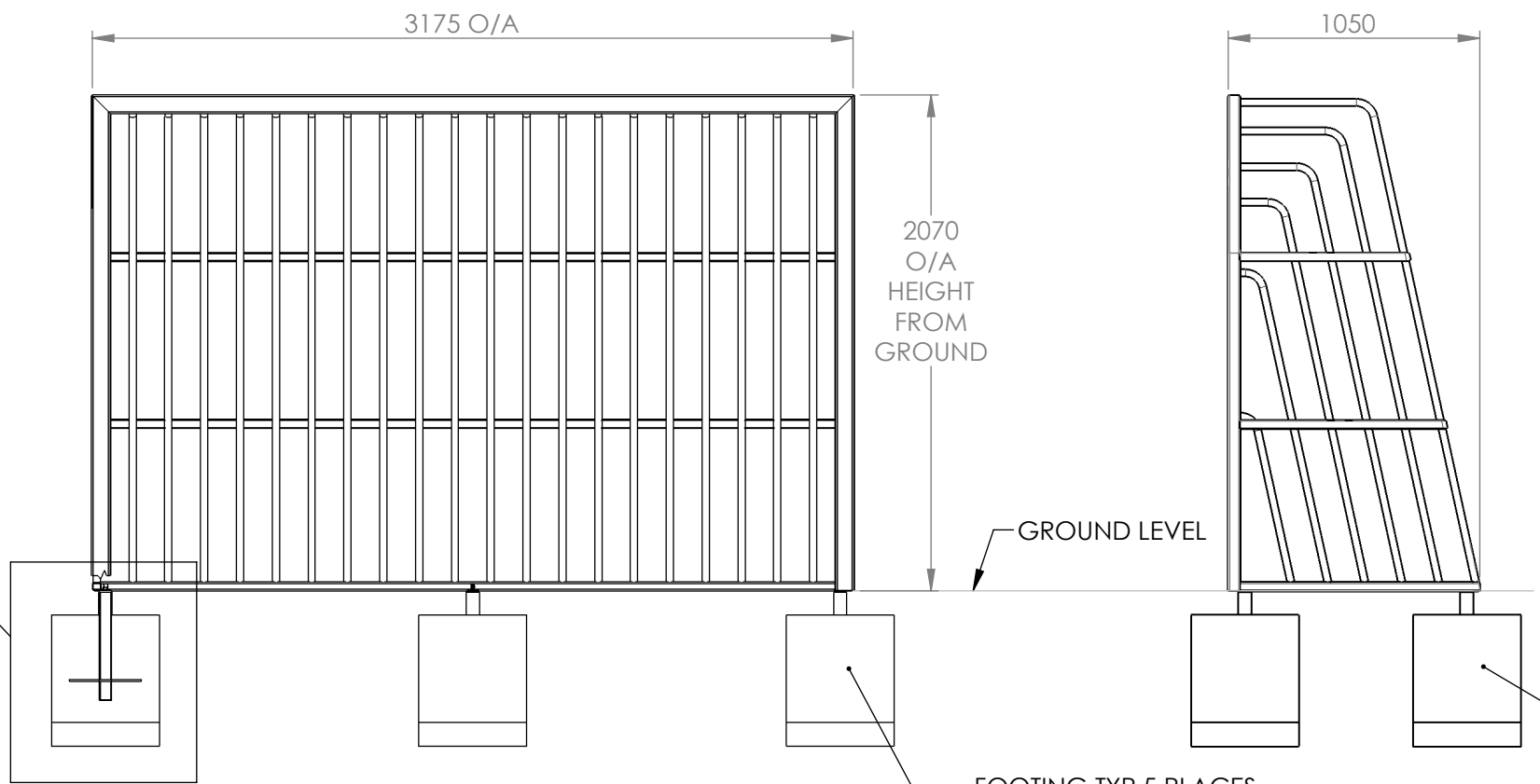


PLAN VIEW



SECTION OF FOOTING
DETAIL A-A



FRONT VIEW

SIDE VIEW

FOOTING TYP 5 PLACES. FIXED TO CORRESPONDING TAGS ON FRAME