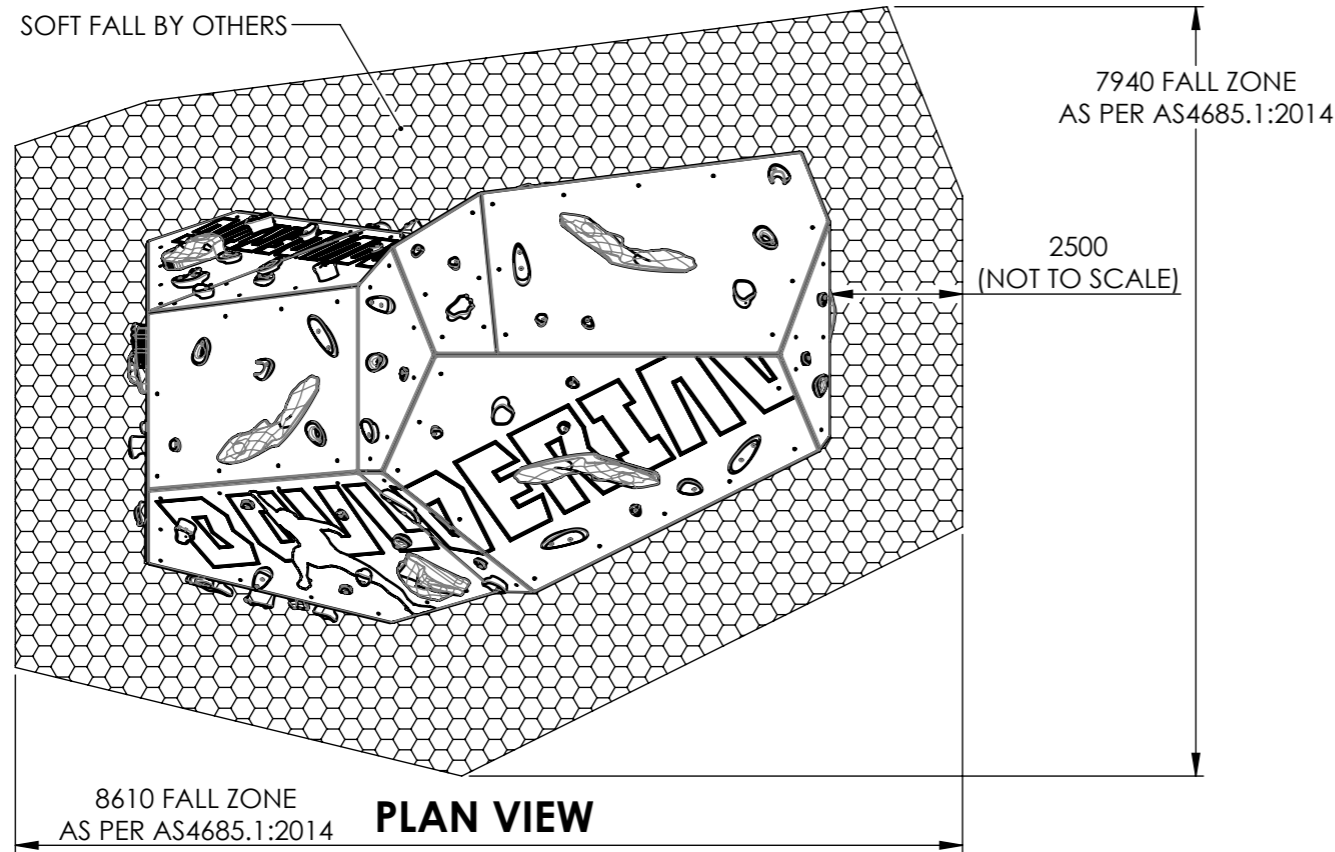
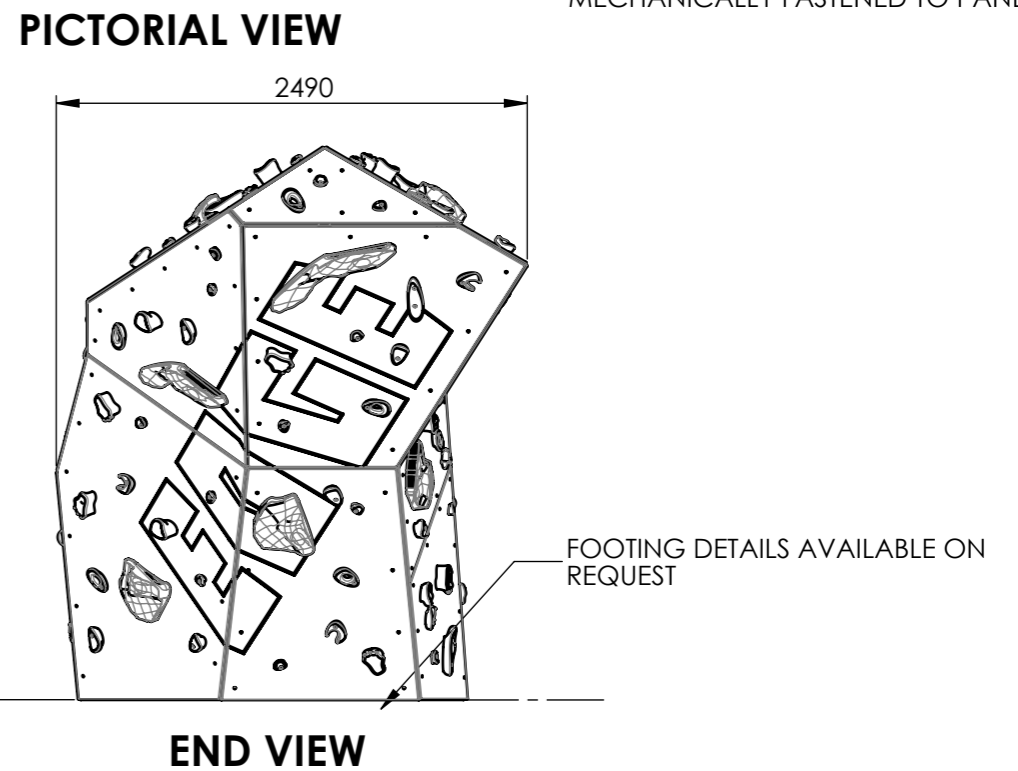
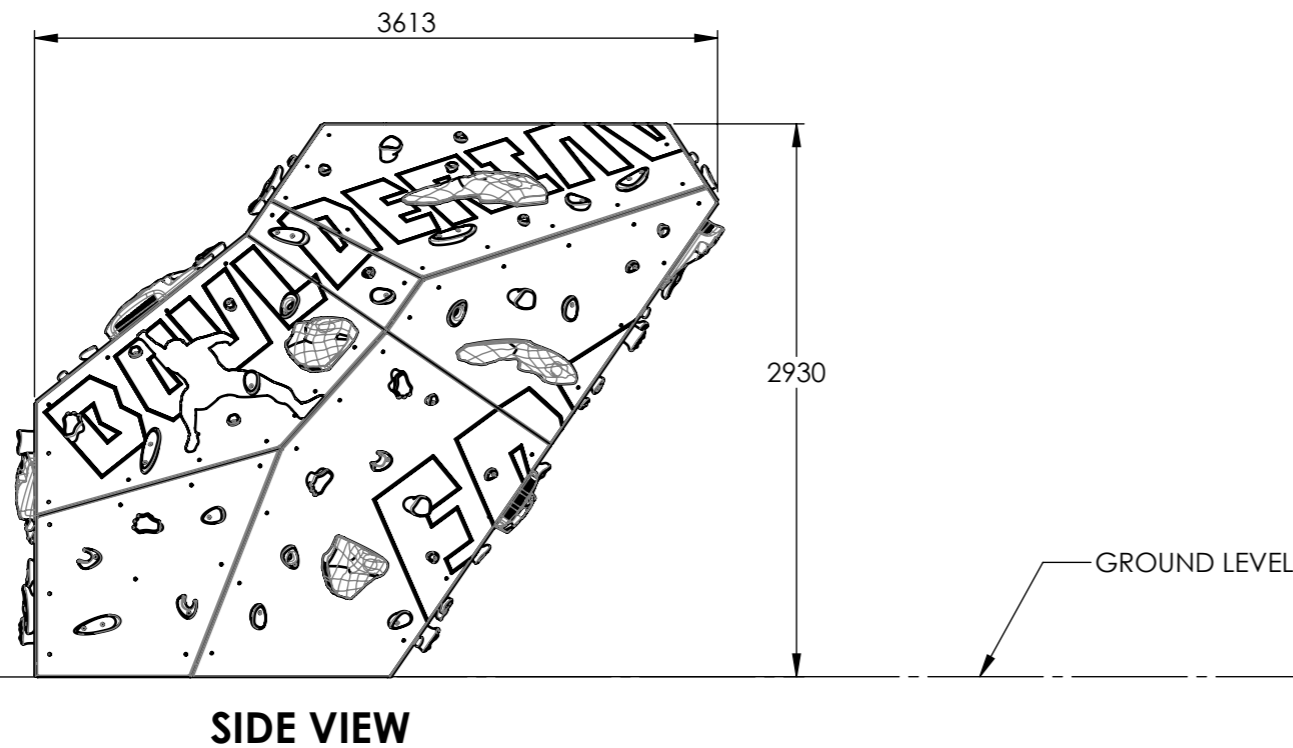
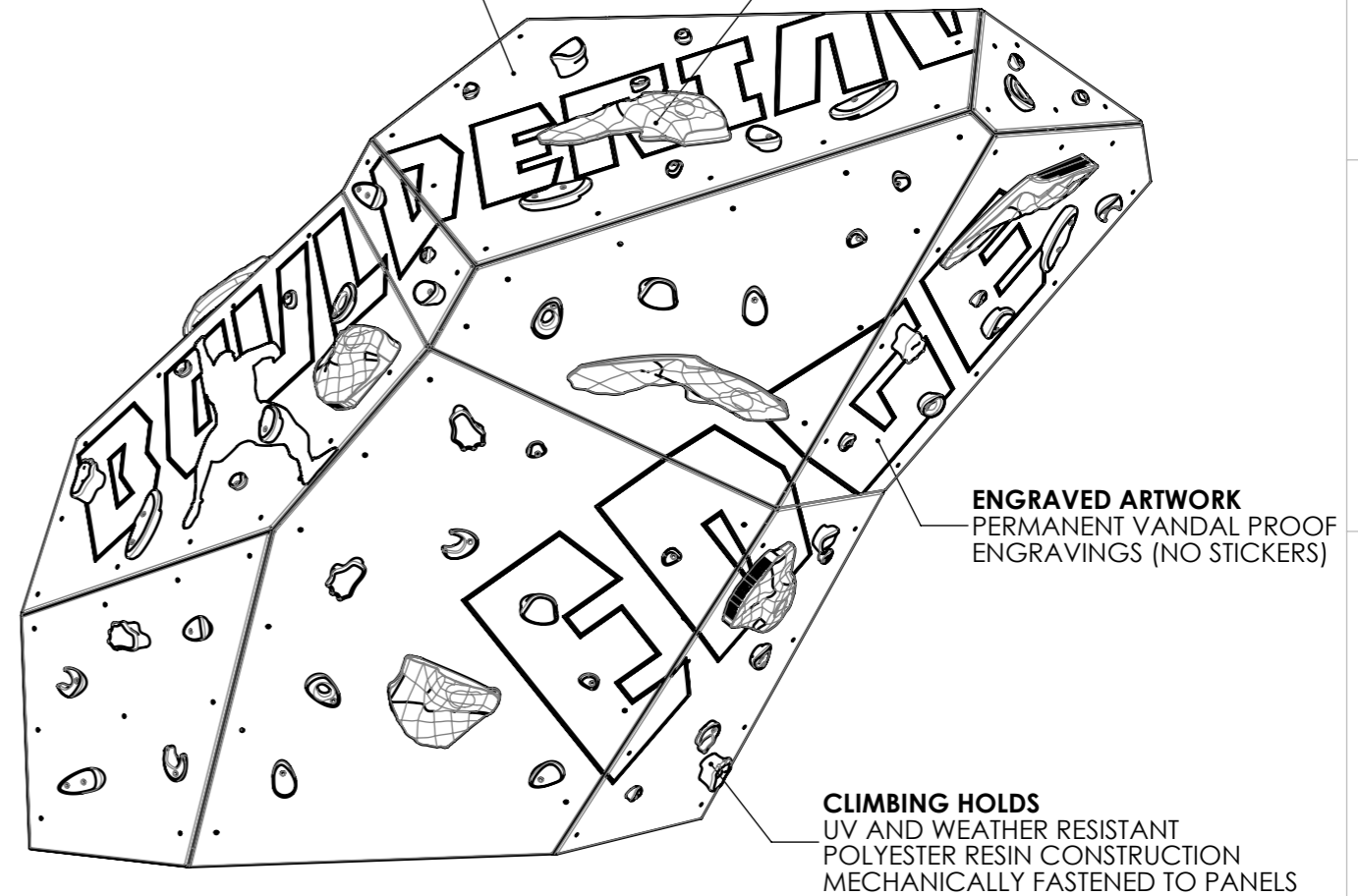


# BOULDERING EDGE SPECIFICATION



**DURABLE HPL EXTERIOR CLADDING**  
VARIOUS PANEL AND HOLD COLOUR  
COMBINATIONS AVAILABLE

**MOULDED CLIMBING ROCK FEATURES**  
ROTATIONALLY MOULDED ROCK  
UV RESISTANT LLDPE



**COMPLIES TO AS4685.1, AS1170.1, AS1170.2, AS4100, AS3600**

**SUBJECT TO CHANGE WITHOUT NOTICE**

**SIGNED:** ..... **DATE:** .....

C				CUSTOMER: CMA	SURFACE FINISH: NA	DRAWN: SB	<b>15-752</b> <b>A3</b> <b>industrial by nature</b>
B				DESCRIPTION: BOULDERING EDGE SPECIFICATION	MATERIAL: VARS	DATE: 11/07/2016	
A				FILE NAME: 15-752 Edge Spec 20160711	WEIGHT: NA	SCALE: 1:40	
REV	DESCRIPTION	DATE	DRAWN	FILE NAME: 15-752 Edge Spec 20160711	WALL THICKNESS: NA	SHEET 1 OF 1	

This drawing is the property of Industrial By Nature Pty Ltd. It cannot be copied in part or full without the written permission of Industrial By Nature Pty Ltd.

Fact 15, 2 Garden Blvd, Dingley, VIC, 3172 Ph: (03) 9558 3455 www.industrialbynature.com.au